

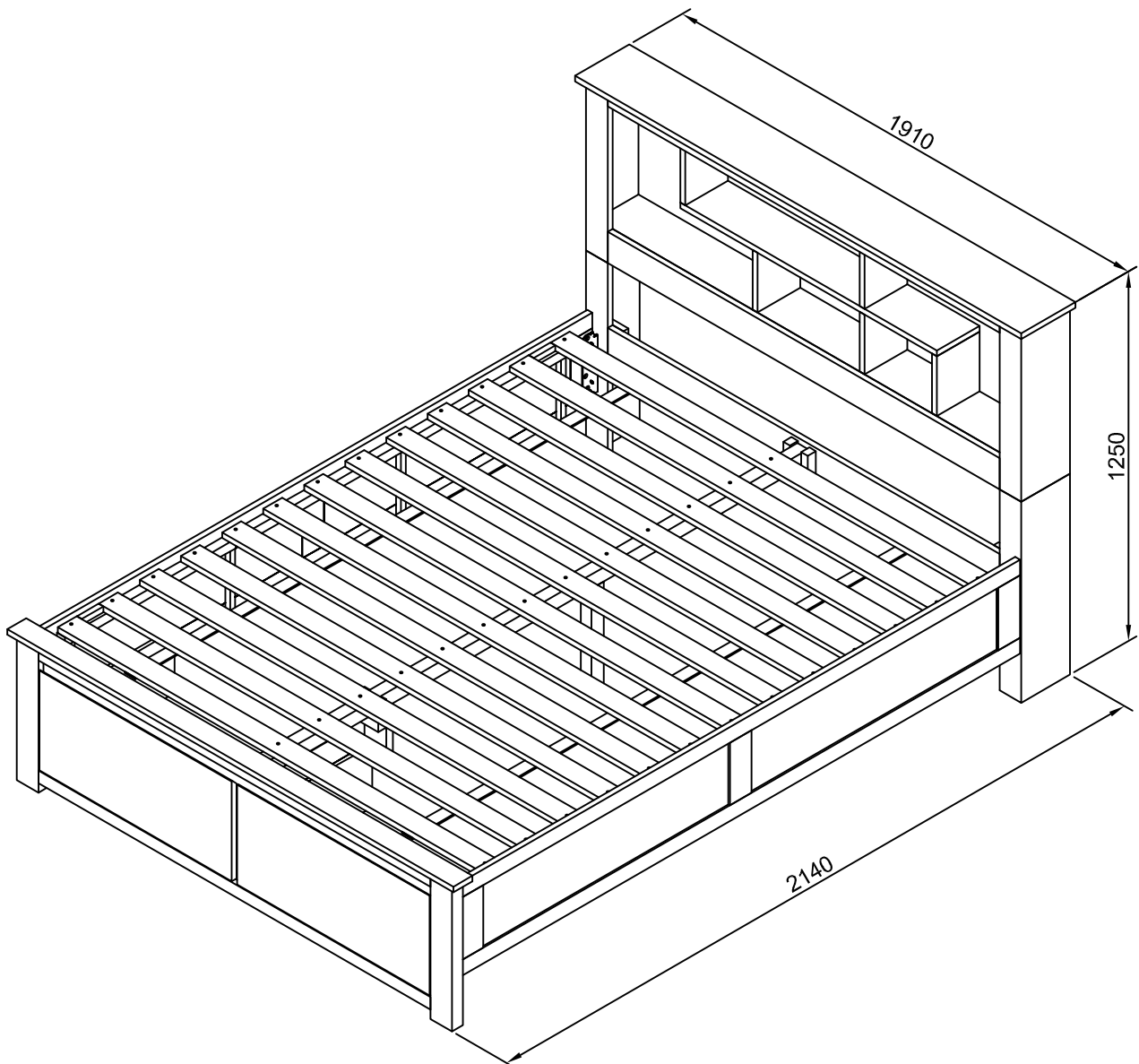


Proudly supporting Ronald McDonald House Charities Australia.

ASSEMBLY INSTRUCTION GALENE KINGBED ITEM CODE - 77829

Imported by Amart Furniture Pty Ltd, Qld, Brisbane Australia.

For any assistance to assemble or for missing parts please phone Amart Furniture, Customer Service Freecall 1800 351 084.








Imported by Amart Furniture Pty Ltd, Qld, Brisbane Australia.
For any assistance to assemble or for missing parts please phone Amart Furniture, customer service freecall 1800 251 084.

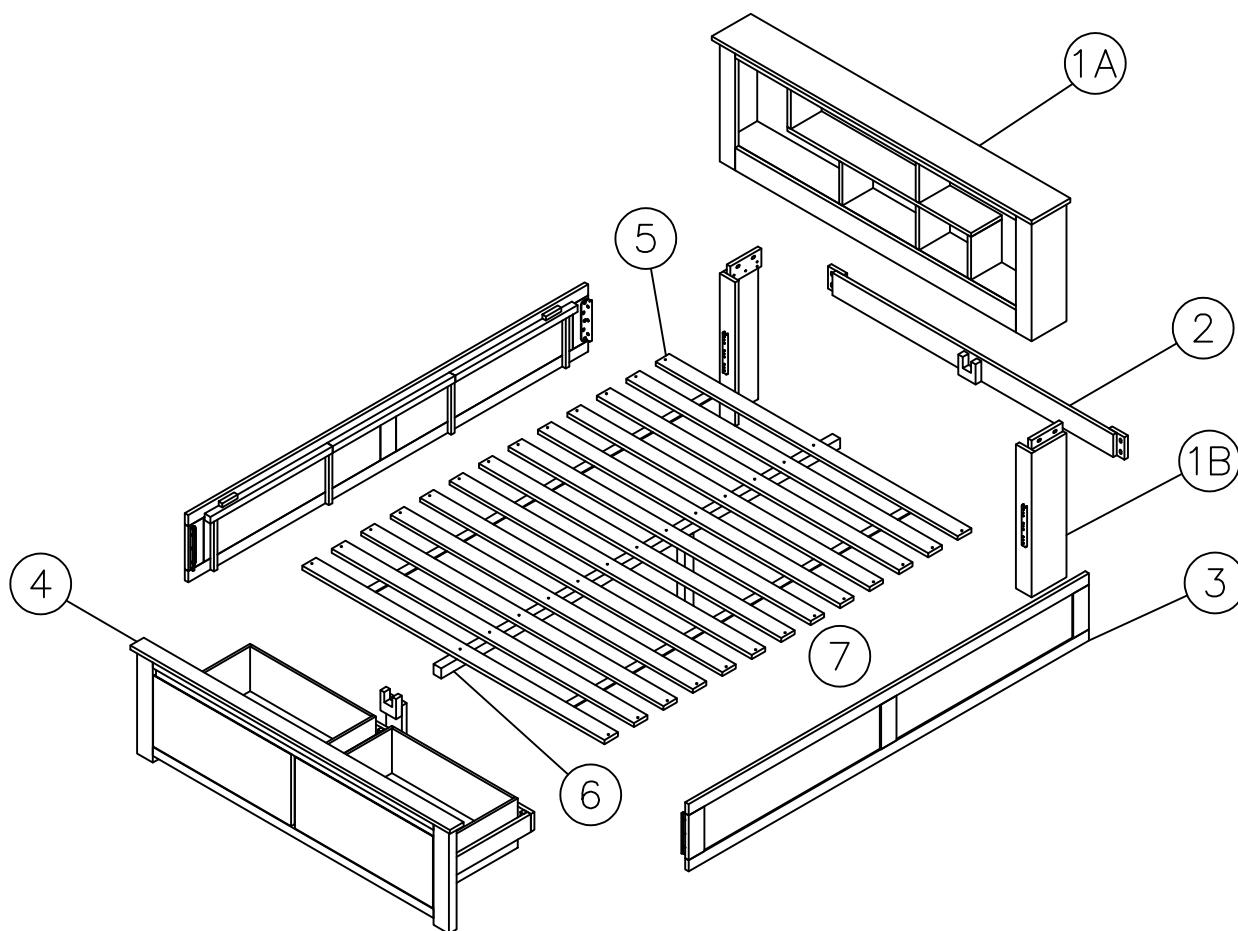
PRE-ASSEMBLY PREPARATION

Before you start:








1. Choose a clean, level, spacious assembly area. Avoid hard surfaces that may damage the product.
2. Take care when lifting. Product should be assembled as near as possible to the point of use.
3. Ensure that you have all required contents for complete assembly
4. Always read the assembly instructions carefully before beginning assembly.
5. Keep all hardware parts and packaging out of reach of small children.
6. Do not over tighten the screws and bolts as this may damage the threads.

	 x2
ALLOW 15 MINUTES	PEOPLE REQUIRED
	
TOOLS REQUIRED	
 	<p>We recommend using a screwdriver to put this item together. However if you choose to use a power drill it must be used on LOW SPEED (LOW TORQUE) as too much pressure could damage the product.</p>

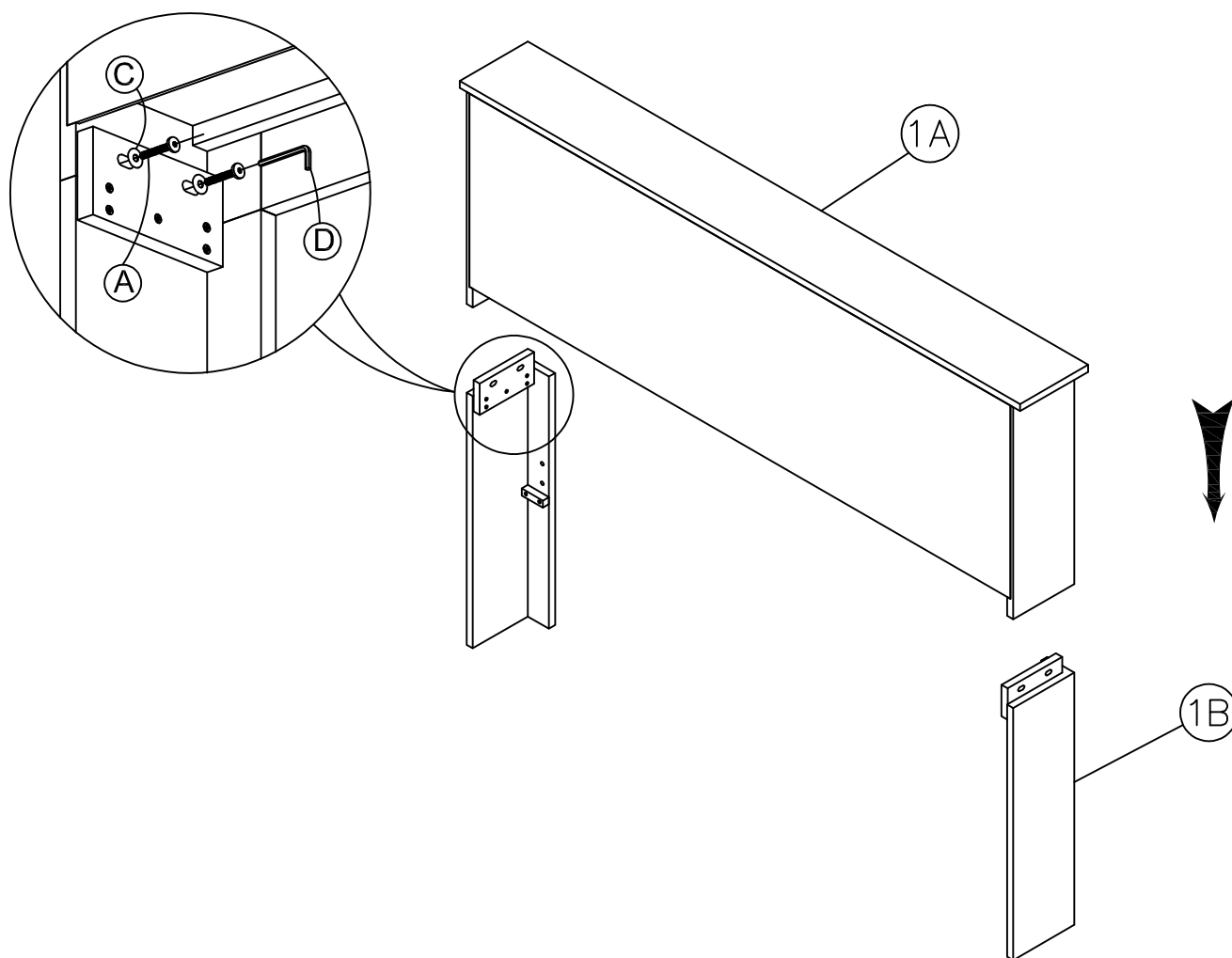
PART LIST






REF.	PARTS NAME	QTY
1A	HEADBOARD	1PCS
1B	LEGS	2PCS
2	STRETCHER	1PCS
3	SIDERAILS	2PCS
4	FOODBOARD	1PCS
5	BED SLATS	13PCS
6	CENTER RAIL	1PCS
7	SUPPORT LEG	1PCS

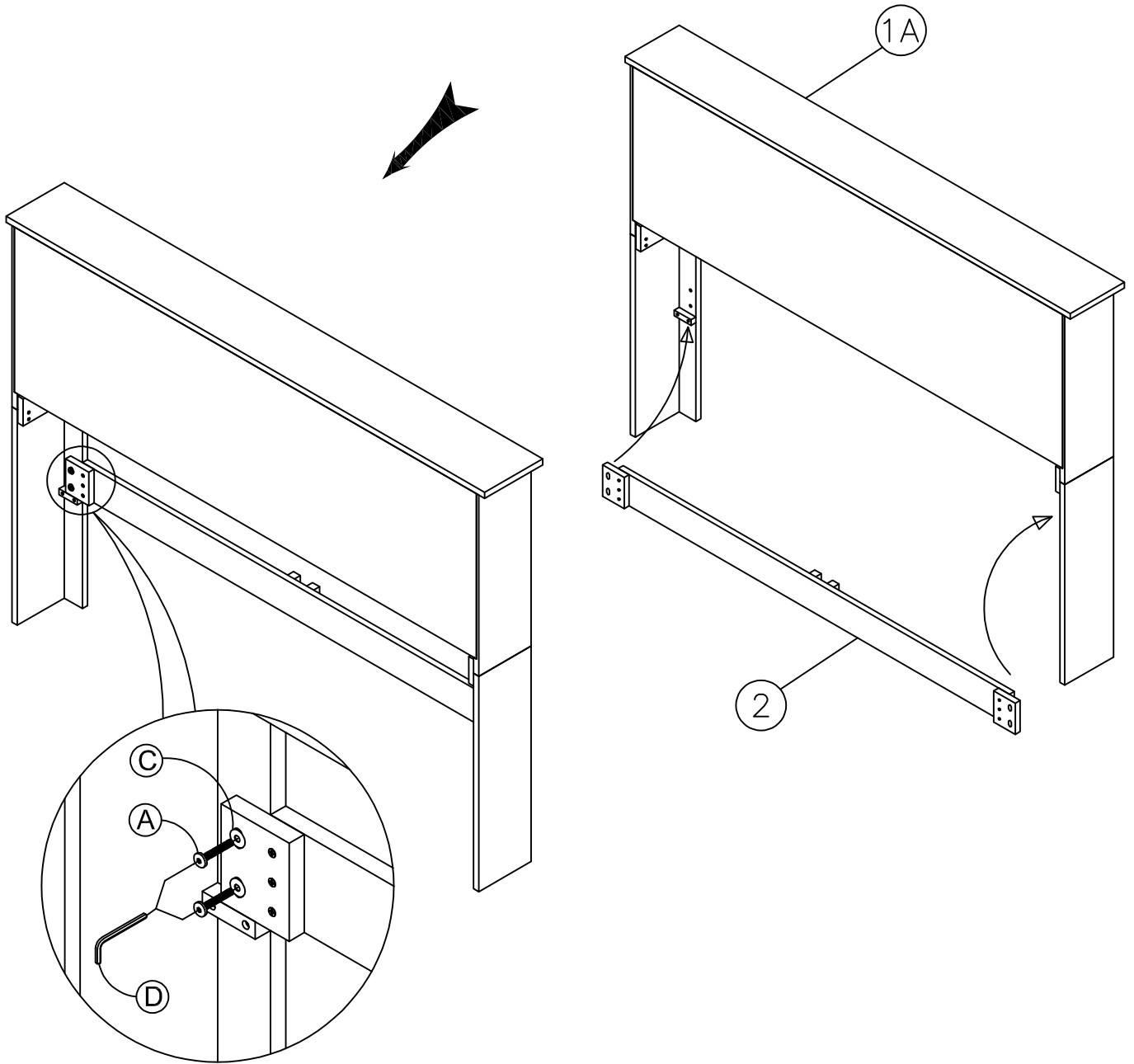
REF.	HARDWARE & TOOL	QTY
A	BOLTS M6x30 	8PCS
B	BOLTS M6x40 	1PCS
C	WASHERS M6x19 	8PCS
D	ALLEN KEY L4 	1PCS
E	SCREW 4x30 	39PCS
F	ALLEN KEY L5 	1PCS
G	BOLTS M5x10 	12PCS




STEP 1 : Attach the Leg (1B) to headboard (1A) , secure with bolts (A) and washer (C) , tighten with allen key (D)



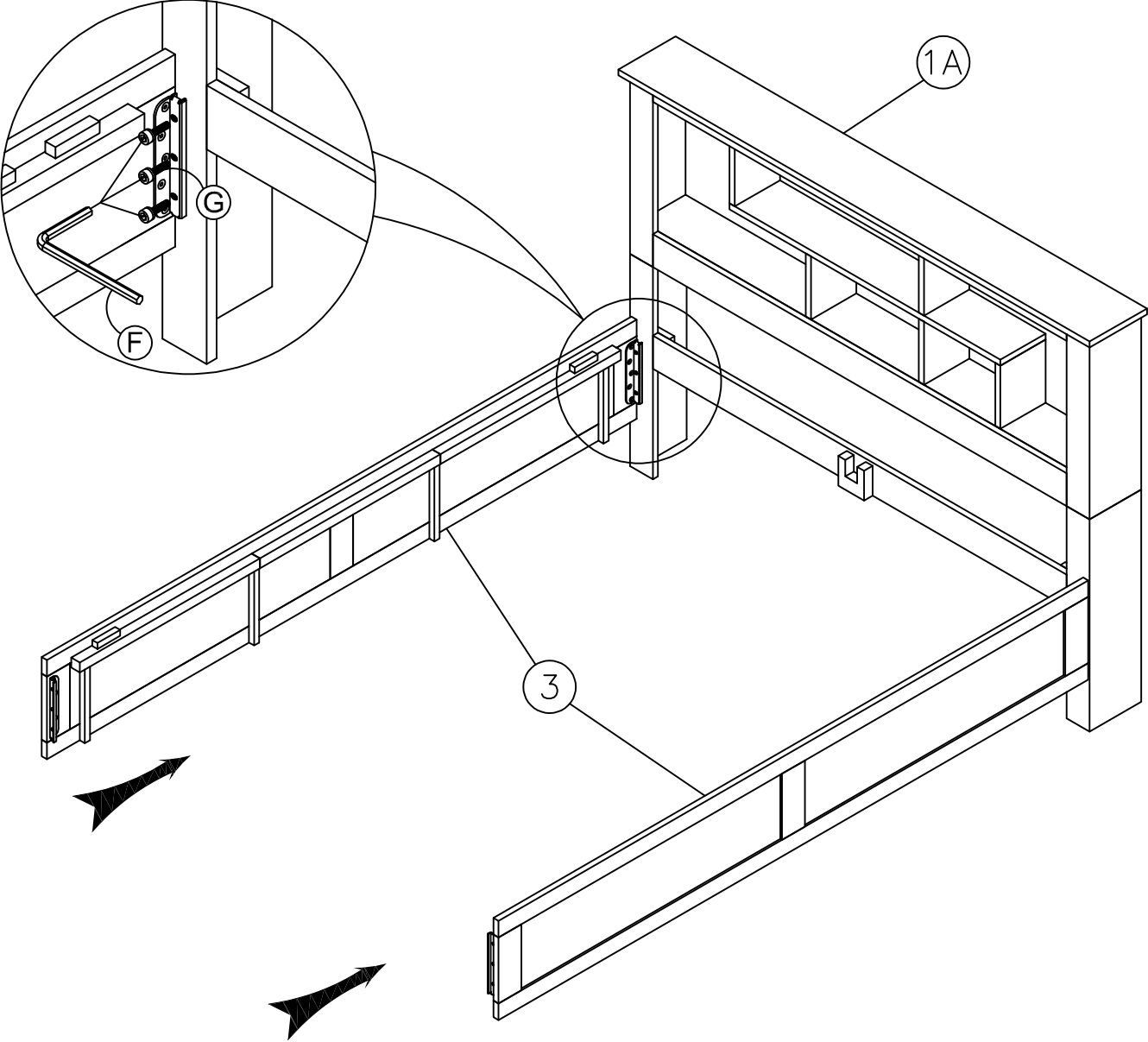
D. ALLEN KEY L4	A. BOLTS M6x30	C. WASHERS M6x19
		
1 PCS	4 PCS	4 PCS



STEP 2 : Attach the stretcher (2) to headboard (1A) , secure with bolts (A) and washer (C) tighten with allen key (D)



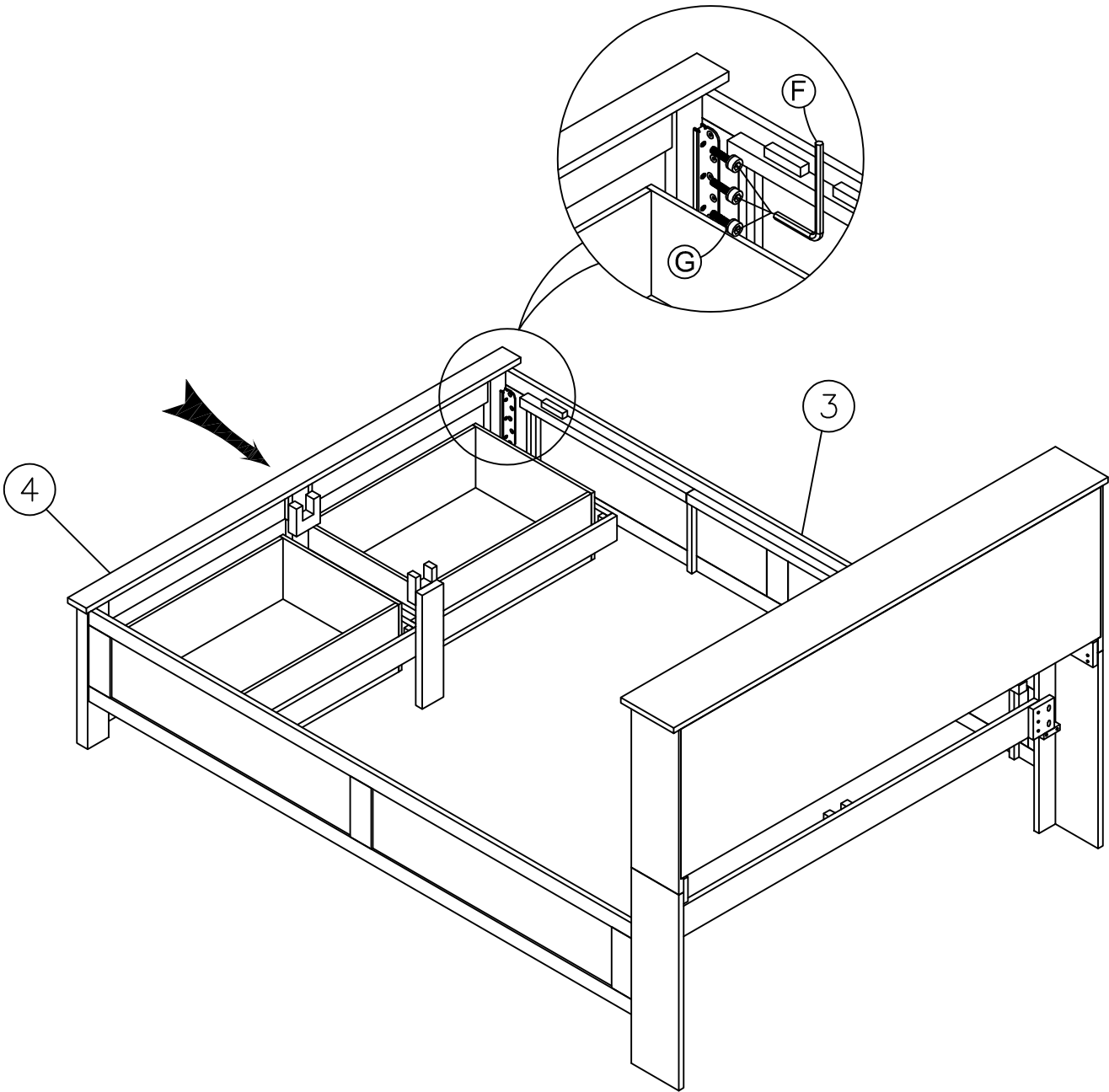
D. ALLEN KEY L4	A. BOLTS M6x30	C. WASHERS M6x19
		
1 PCS	4 PCS	4 PCS



STEP 3: Attach siderails (3) to headboard(1A), secure with bolts (G) tighten with allen key (F)



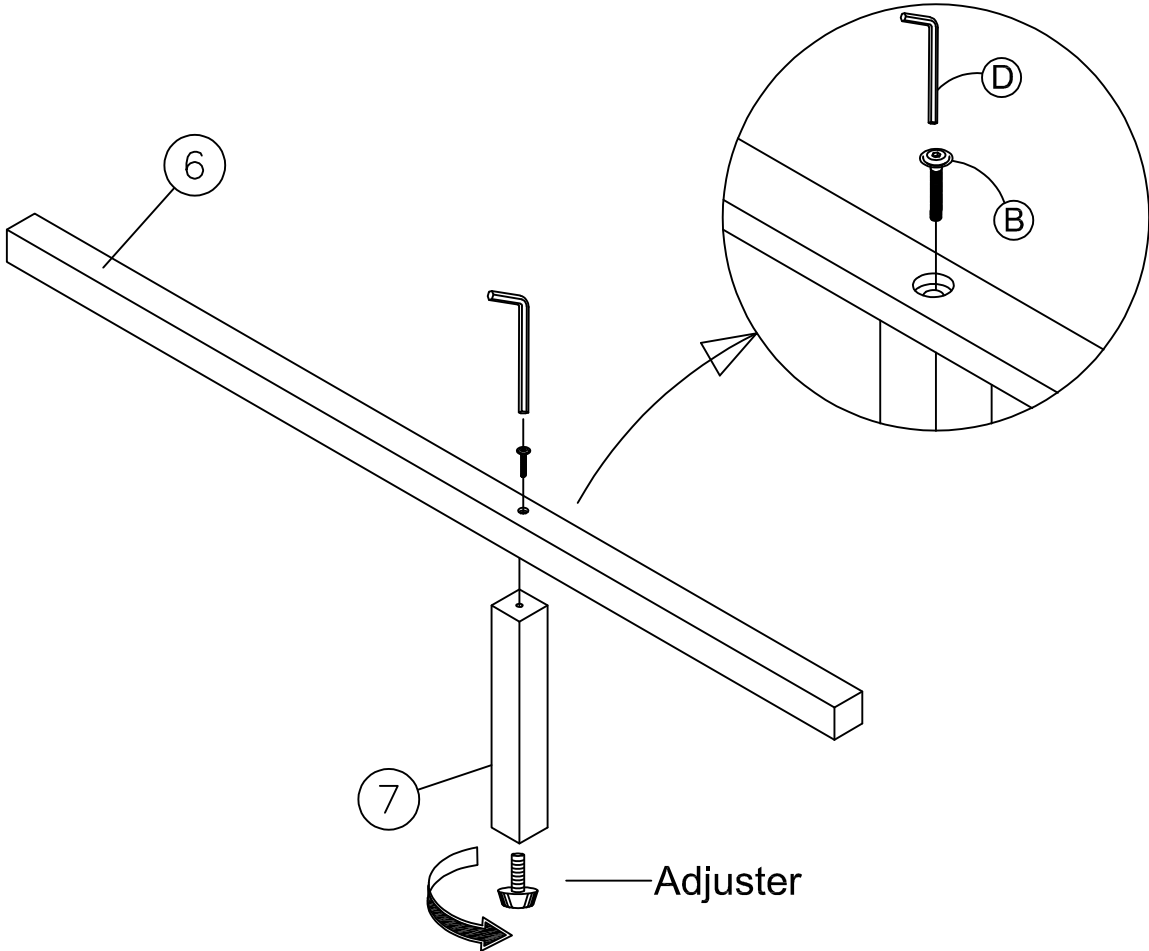
F. ALLEN KEY L5	G. BOLTS M5x10
	
1 PCS	6 PCS



STEP 4: Attach siderails (3) to footboard (4), secure with bolts (G) tighten with allen key (F)



F. ALLEN KEY L5	G. BOLTS M5x10
	
1 PCS	6 PCS

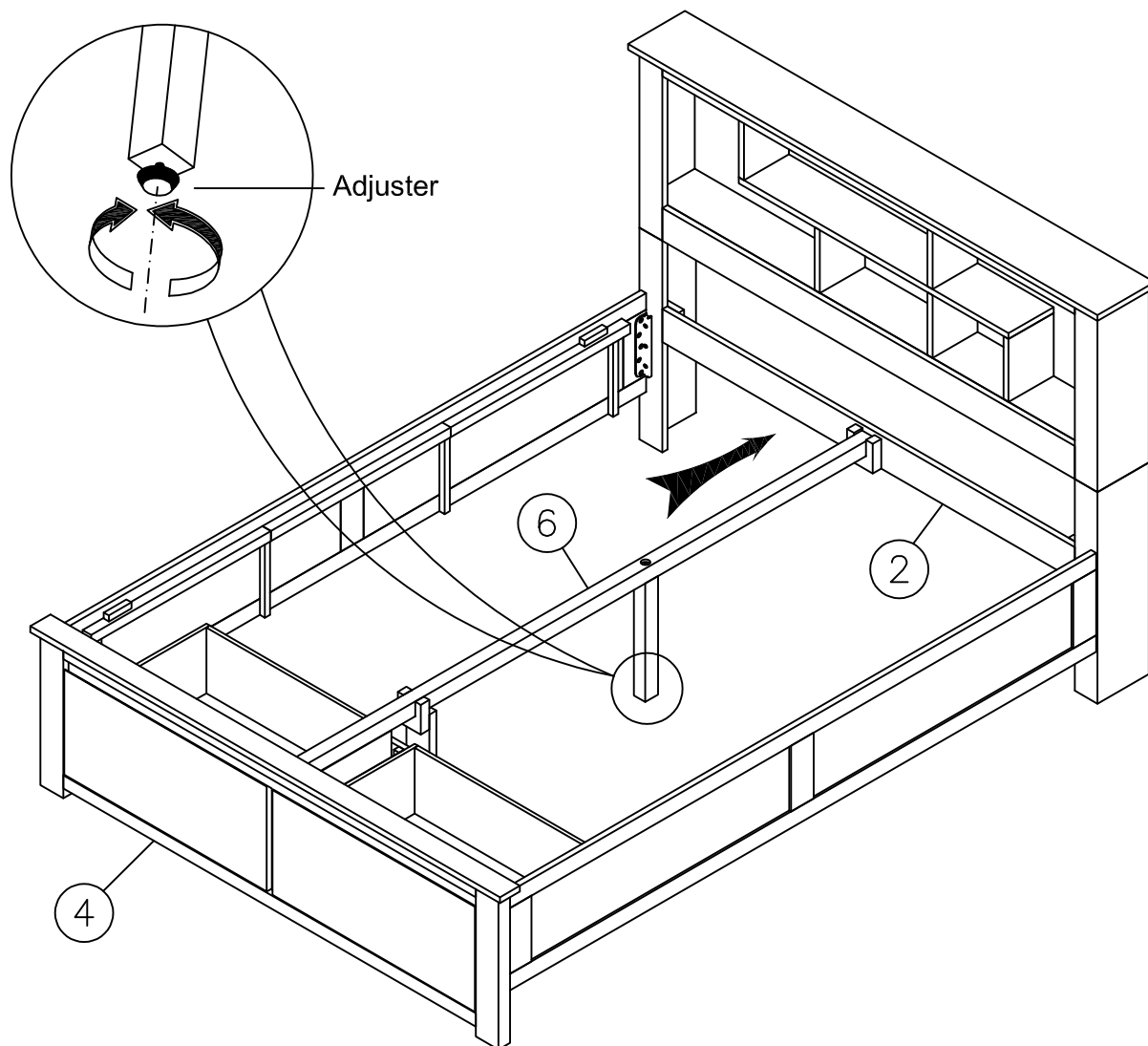
STEP 5 : Attach support leg (7) to center rail (6), secure bolt (B) tighten with allen key (D)



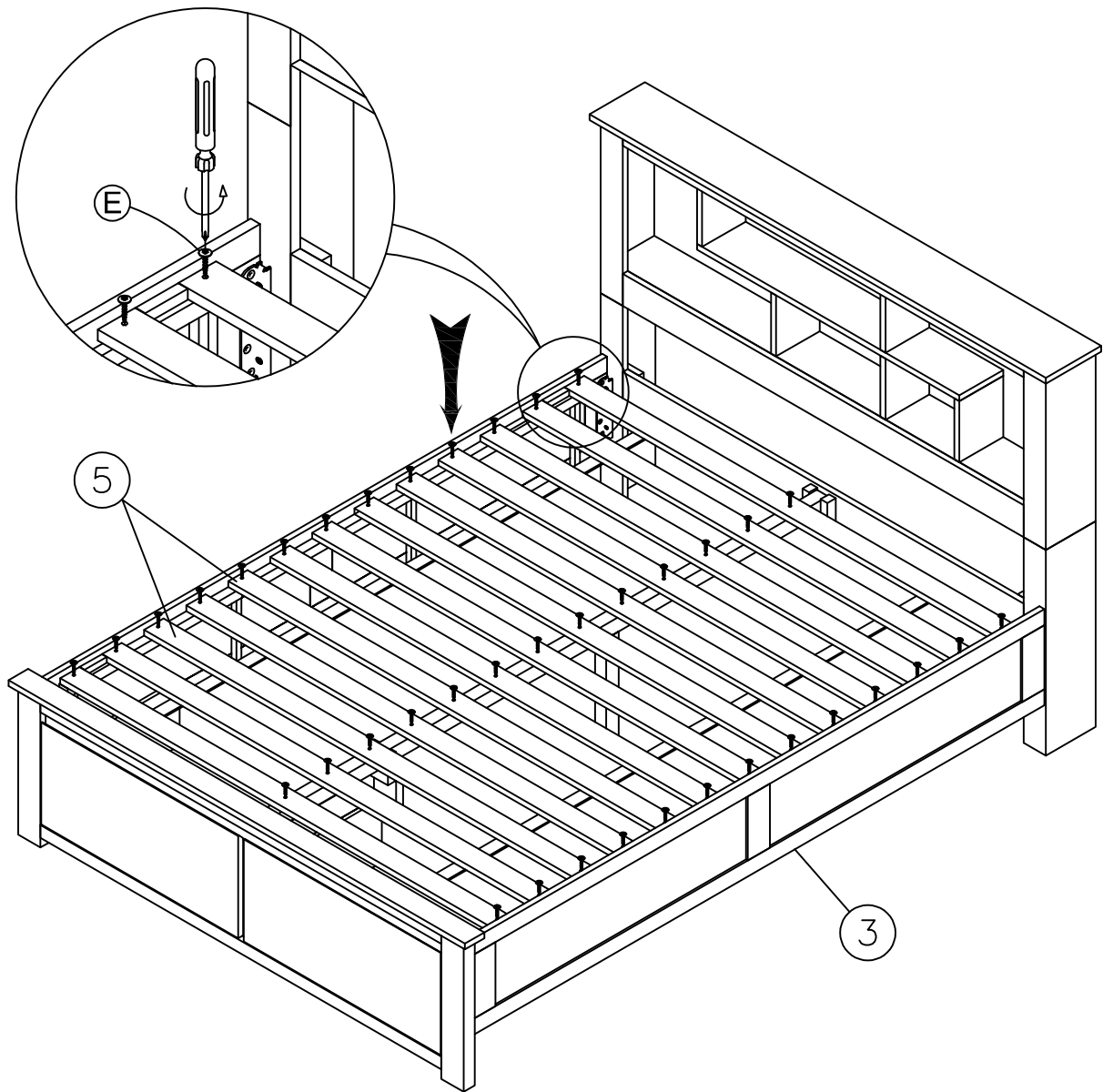
D. ALLEN KEY L4	B. BOLTS M6x40
	
1 PCS	1 PCS


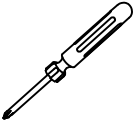
STEP 6: Attach center rail (6) into slots between stretcher (2) and footboard (4)

Turn the leveler on the bottom and of the support leg to adjust the height

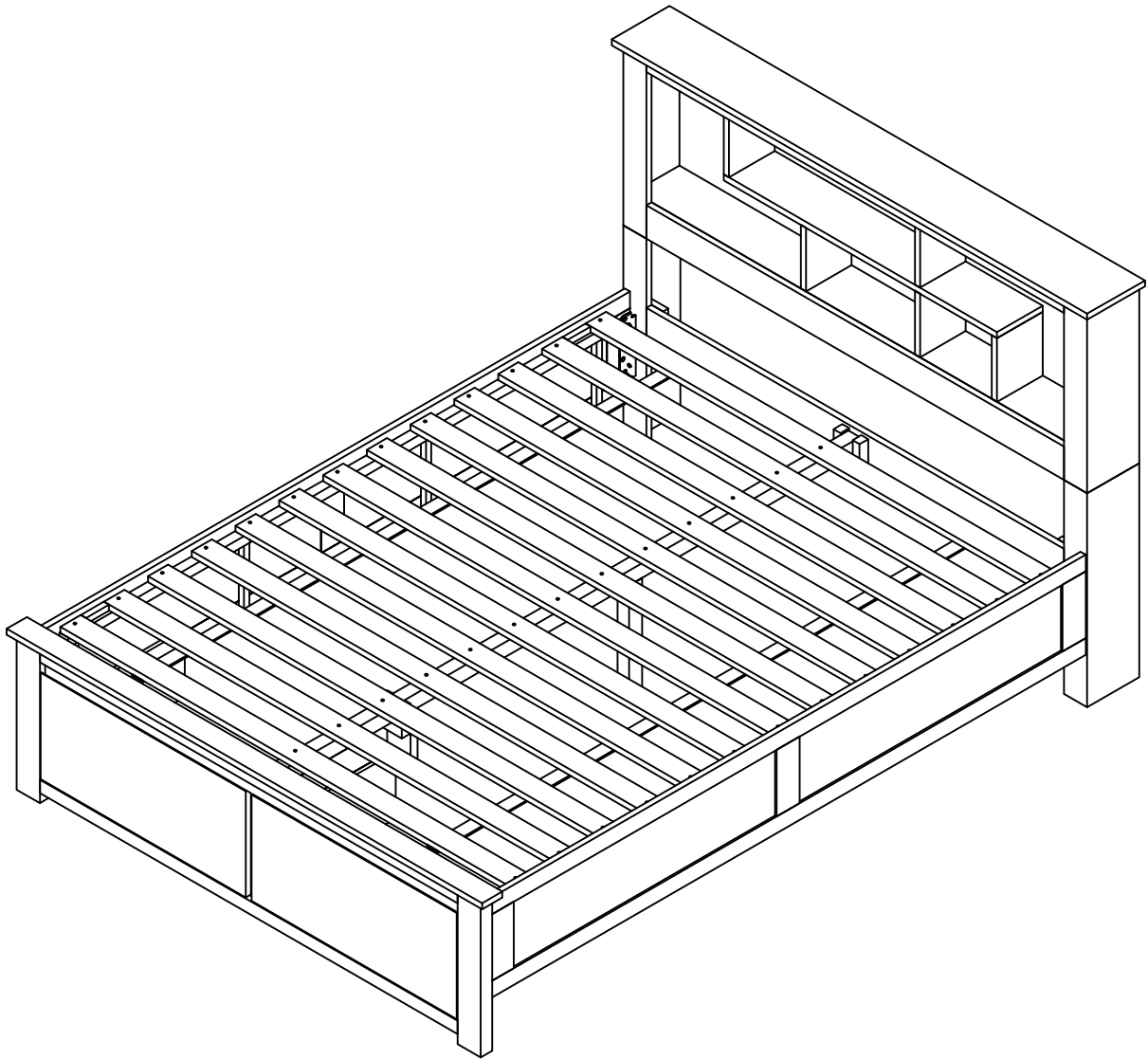


STEP 7: Attach bed slat (5) to siderails (3) , tighten with screw (E)



E. SCREW M4x30	SCREWDRIVER
 39 PCS	

ASSEMBLY COMPLETED



care and maintenance

Congratulations! You have just purchased a quality product from Super Amart, Australia's largest discount furniture retail store. Please read on for important information regarding your purchase...

A multi-step finish is applied to all our furniture, but all wood comes from nature. Because of this, there will be natural variations in surface texture and grain like knots, mineral streaks and sap runs that may affect the finish.

These differences in character are not defects, but distinctions that make each piece of furniture unique.

Our furniture is built to last. Following these steps for basic care should protect your investment for years to come.

- ▶ Dust frequently with a clean damp lint-free cloth. This will help remove abrasive build up which can damage a finish over time.
- ▶ Do not place hot objects on any furniture surface. Always use a hot plate or placemat. Laminate and lacquer finishes on table tops provide added scratch and heat resistance to our furniture, but they can still be damaged without proper care.
- ▶ Avoid exposing your furniture to strong sunlight, heat outlet, open windows or dampness. Prolonged exposure to direct sunlight can fade the finish of your furniture, while extreme temperature and humidity changes can cause cracking or splitting.
- ▶ Do not expose your furniture to any liquids. Never allow water to sit on your furniture. Alcohol, nail polish and perfume are also dangerous as they will dissolve the lacquer finish on contact and may require professional repairs.
- ▶ Do not allow plastic to come in direct contact with your furniture. Chemicals in the plastic of placemats etc may soften and mark the finish if left in contact with the furniture for a period of time.